



Teknika MUL-20

- **Heavy Duty Sealless Combination Tool**
- Strap Width: adjustable 1/2"(12mm), 5/8"(16mm), 3/4"(19mm)
- Strap Gauge: from .015(0.39mm) to .025(0.64mm) High Tensile
- Lightweight - 8.5 lbs(3.8kg)
- Reversible dies
- Low maintenance costs
- Easy to operate and repair



Teknika MUL-16

- **Regular Duty Sealless Combination Tool**
- Strap Width: adjustable 1/2"(12mm), 5/8"(16mm), 3/4"(19mm)
- Strap Gauge: from .015(0.39mm) to .023(0.58mm) Regular Duty
- Lightweight - 8 lbs(3.6kg)
- Reversible dies
- Low maintenance costs
- Easy to operate and repair



Teknika MUL-420

- **Heavy Duty Feedwheel Tensioner**
- Strap Width: 3/4"(19mm) to 1 1/4"(32mm)
- Engineered for extremely high tension
- Needle bearings for smooth tensioning
- Effortless pawl release
- Easy to operate and repair



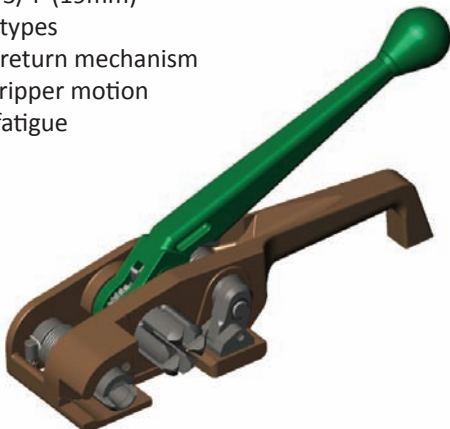
Teknika MUL-430

- **Heavy Duty Dual-Action Steel Sealer**
- Strap Width: 1 1/4"(32mm)
- Sealing effort reduced by 50%
- Highly reliable double notch seal joint
- Designed to work with ease on vertical surfaces



Teknika MUL-325

- **Heavy Duty Cord Tensioner**
- Strap Width: up to 3/4"(19mm)
- Easily cuts all cord types
- Patented windlass return mechanism
- Patented vertical gripper motion
- Minimal operator fatigue



Teknika MUL-375

- **Heavy Duty Wide Cord Tensioner**
- Strap Width: up to 1 3/4"(44mm)
- Effortless cutting of all cord types
- Easiest tool to lift off the strap
- Patented vertical gripper motion
- Patented cutter design
- Excellent ergonomics and durability





Teknika MUL-340

- **Heavy Duty Combination PP Tool**
- Strap Width: 1/2"(12mm)
- Patented windlass return mechanism
- Works with inexpensive ST-340 seals
- Easiest combination tool to operate and maintain



Teknika MUL-341

- **Heavy Duty Combination PP Tool**
- Strap Width: 5/8"(16mm)
- Works with inexpensive ST-341 seals

Teknika MUL-350

- **Heavy Duty Combination PET Tool**
- Strap Width: 5/8"(16mm)
- Works with standard serrated seals



Teknika MUL-351

- **Heavy Duty Combination PET Tool**
- Strap Width: 1/2"(12mm)
- Works with standard serrated seals

Teknika MUL-320

- **Heavy Duty PET Tensioner**
- Strap Width: up to 3/4"(19mm)
- Patented windlass return mechanism
- Patented vertical gripper motion
- Easiest tool to operate and maintain



Teknika MUL-330

- **Heavy Duty PET Sealer**
- Strap Width: 5/8"(16mm)
- Standard serrated 5/8"(16mm) seal
- Patented symmetrical jaws
- Reduced sealing effort



Teknika MUL-360

- **Regular Duty PP Tensioner**
- Strap Width: up to 5/8"(16mm)
- Simple, original, inexpensive design
- Best gripping performance
- Light weight, smallest footprint
- Fewer moving parts



Teknika MUL-331

- **Heavy Duty PET Sealer**
- Strap Width: 1/2"(12mm)
- Standard serrated 1/2"(12mm) seal
- Patented symmetrical jaws
- Reduced sealing effort



Teknika MUL-370

- **Heavy Duty Wide PET Tensioner**
- Strap Width: up to 1 1/4"(32mm)
- Easiest tool to lift off the strap
- Patented vertical gripper motion
- Superior performance and durability



Teknika MUL-380

- **Heavy Duty PET/PP Sealer**
- Strap Width: 3/4"(19mm)
- Standard serrated 3/4"(19mm) seal
- Unique jaw design for reduced sealing effort
- Enhanced joint efficiency
- Lifetime availability of parts and service



For our customers' convenience we also stock a number of generic strapping tools.

<p>Generic S-290</p> <ul style="list-style-type: none"> • Feedwheel Tensioner • 3/8" (9mm) to 3/4" (19mm) strapping 	<p>Generic S-296</p> <ul style="list-style-type: none"> • Feedwheel Tensioner • 3/8" (9mm) to 3/4" (19mm) strapping 	<p>Generic S-298</p> <ul style="list-style-type: none"> • Feedwheel Tensioner • 3/4" (19mm) to 1 1/4" (32mm) strapping 
<p>Generic S-246</p> <ul style="list-style-type: none"> • Pusher Tensioner • 3/8" (9mm) to 3/4" (19mm) strapping • Flat and Round packages 	<p>Generic C-3123 through C-3126</p> <ul style="list-style-type: none"> • Steel Sealers • 3/8" (9mm), 1/2" (12mm), 5/8" (16mm), or 3/4" (19mm) strapping • Double notch, front action 	<p>Generic C-318</p> <ul style="list-style-type: none"> • Steel Sealer • 1 1/4" (32mm) strapping • Double notch, side action 
<p>Generic H-100</p> <ul style="list-style-type: none"> • Steel Strap Cutter • 3/8" (9mm) to 3/4" (19mm) strapping 	<p>Generic H-230</p> <ul style="list-style-type: none"> • Heavy Duty Steel Strap Cutter • 3/8" (9mm) to 3/4" (19mm) strapping 	<p>Generic H-305</p> <ul style="list-style-type: none"> • Heavy Duty Steel Strap Cutter • Up to 2" (50mm) x .050 (1.3mm) strapping 
<p>Generic P-112</p> <ul style="list-style-type: none"> • Economical PP Tensioner • Strap Width: up to 3/4" (19mm) 	<p>Generic C-3004</p> <ul style="list-style-type: none"> • Economical PP Sealer • Strap Width: 1/2" (12mm) • Seal Type: regular open seal 	<p>Generic C-5004</p> <ul style="list-style-type: none"> • Regular Duty PET Sealer • Strap Width: 1/2" (12mm) • Seal Type: regular serrated seal 